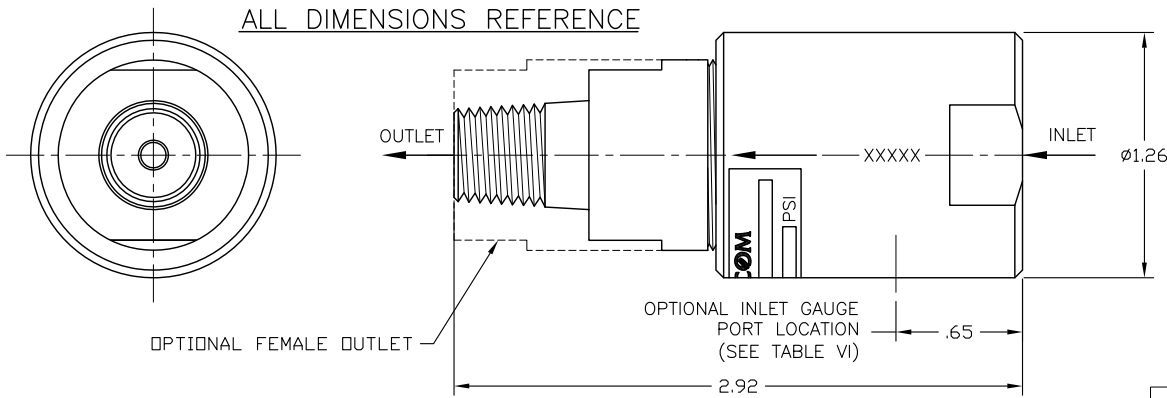
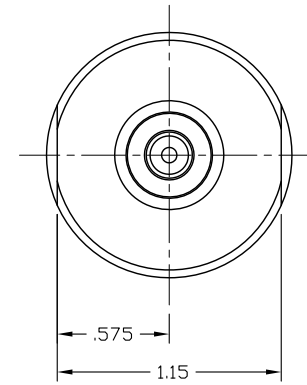


ALL DIMENSIONS REFERENCE



BEXXXXXXXXXX



**BE SERIES INLINE REGULATOR**  
SPRING LOADED, PRESSURE REDUCING REGULATOR

**GENERAL SPECIFICATIONS:**

INLET PRESSURE: 6000 PSI  
 OUTLET PRESSURE: SEE TABLE II  
 DESIGN PROOF PRESSURE: 150% OF RATED PRESSURE  
 PRESSURE RATING: PER CRITERIA OF ANSI/ASME B31.3  
 OPERATING TEMPERATURE: SEE TABLE III  
 LEAKAGE: BUBBLE TIGHT  
 FLOW CAPACITY (Cv): .02  
 WEIGHT: APPROXIMATELY .5 LB

**MATERIALS CONTACTING LINE MEDIA:**

BODY: SEE TABLE I  
 PISTON: BRASS AND ALUMINUM BODY; BRASS  
 316 SST BODY; 316 SST  
 SEAT: SEE TABLE III  
 O-RING: SEE TABLE III  
 FILTER: SEE TABLE VI

**ASSEMBLY INFORMATION:**

FOR ASSEMBLY OF THIS UNIT USE SPEC: JTA101350-02

TABLE I	DASH NO.	BODY AND BONNET MATERIAL
1	BRASS	
3	ALUMINUM NICKEL PLATED	
6	316 SST	

TABLE II	DASH NO.	NOMINAL (MINIMUM RECOMMENDED) OUTLET SETTING P1 (PSIG)
05	100	6000
10	150	120
20	200	160
25	250	260
55	400	330
		600

TABLE III	DASH LTR	O-RING MATERIAL	SEAT MATERIAL	OPERATING TEMPERATURE
BT	BUNA-N	PTFE	PTFE	-40°F TO +165°F
VT	VITON			-15°F TO +250°F
ET	E.P.			-40°F TO +250°F
UT	URETHANE			-40°F TO +165°F
BC	BUNA-N			-40°F TO +140°F
VC	VITON	CTFE	CTFE	-15°F TO +140°F
EC	E.P.			-40°F TO +140°F
UC	URETHANE			-40°F TO +140°F
BY	BUNA-N			-40°F TO +165°F
VY	VITON			-15°F TO +250°F
EY	E.P.	POLYIMIDE	POLYIMIDE	-40°F TO +250°F
UY	URETHANE			-40°F TO +165°F

TABLE IV	DASH NO.	INLET GAUGE
-		NONE

SERIES PART NUMBER  
BE625VC-H-4C4

PORTING CONFIG

INLET, OUTLET & GAUGE PORTS				
TABLE VII	PORT TYPE	PORT SIZE		
		1/8	1/4	NONE
FNPT	2	4		
MNPT	B	C		9
FSAE	E	F		4
MSAE	H	I		

TABLE VI	DASH LTR	OPTIONAL ITEMS
-		NO INLET FILTER
F		INLET FILTER 40 MICRON BRONZE
S		INLET FILTER 40 MICRON 316L SST

TABLE V	DASH LTR	PORTING CONFIGURATION (SIDE VIEW)
A		NO GAUGE PORTS
F		ONE GAUGE PORT
H		TWO GAUGE PORTS

FOR MORE PORTING OPTIONS SEE SPEC. 62279 (ADDED PRICE FOR OPTION MAY APPLY)

**NOTE:**

1. RECOMMENDED FOR 2-STAGE APPLICATIONS.
2. RECOMMENDED MINIMUM INLET PRESSURE.
3. MALE CONNECTIONS NOT AVAILABLE FOR INLET AND GAUGE LOCATIONS.
4. 1/4 FSAE NOT AVAILABLE AS GAUGE CONNECTIONS.

REV.	DATE	ECO NO.	BY:	APPR
GA	12-26-13	71131-13	SKO	EJB
G	8-6-13	70793-13	CMB	DP
F	9-23-11	5605-11	MKS	DP
E	12-21-10	5814-10	CMB	EJB
D	1-28-10	1140-10	RAG	EJB
C	12-10-09	5707-09	CMB	EJB
B	8-20-09	5498-09	CMB	EJB
A	5-6-09	1821-09	CMB	EJB

**TESCOM CORPORATION**  
INDUSTRIAL CONTROLS DIVISION  
ELK RIVER, MN USA

INFORMATION CONTAINED ON THIS DOCUMENT IS THE PROPERTY OF TESCOM CORPORATION. NO RIGHTS ARE CONVEYED NOR IS PERMISSION TO DISCLOSE TO OTHERS GIVEN.

UNLESS OTHERWISE SPECIFIED:  
 .0 ± .020 ANGLES: ±1°  
 .00 ± .010  
 .000 ± .005  
 SURFACE ROUGHNESS: 100/  
 CORNER & FILLET RADII: .005-.020  
 THREADS: CLASS 2  
 REMOVE ALL BURRS  
 MFG. SPEC. 60301

DRAWING MADE IN THIRD ANGLE PROJECTION  
(DO NOT SCALE DRAWING)

MATERIAL:		
X		
FINISH:		
X		
DRAWN BY:	CHECKED BY:	APPROVED BY:
CMB 5-6-09	EJB 6-4-09	EJB 6-4-09
NAME		
BE REGULATOR		
SCALE: 1 : 1	SIZE NUMBER	BEXXXXXXXXXXX
CODE NO. 13669	C	SHT. 1 OF 1