

DH SERIES REGULATOR

LOW PRESSURE, HIGH FLOW, SELF VENTING,
PRESSURE REDUCING REGULATOR

MODIFICATION FEATURES:

WELDED FITTINGS
20 Ra BODY

GENERAL SPECIFICATIONS:

INLET PRESSURE: 300 PSI
 OUTLET PRESSURE: SEE TABLE III
 DESIGN PROOF PRESSURE: 150% OF RATED PRESSURE
 PRESSURE RATING: PER CRITERIA OF ANSI/ASME B31.3
 OPERATING TEMPERATURE: -20°F TO +165°F
 LEAKAGE: BUBBLE TIGHT
 ORIFICE FLOW CAPACITY (Cv): 5
 WEIGHT: APPROXIMATELY 16 LBS

MATERIALS CONTACTING LINE MEDIA:

SEAT, MAIN VALVE: SEE TABLE IV
 SEAT, VENT: SEE TABLE VI
 O-RING: SEE TABLE IV
 BODY, BONNET, BACK CAP: SEE TABLE II
 DIAPHRAGM: SEE TABLE V
 REMAINING PARTS: 300 SERIES SST, NITRONIC 60

ASSEMBLY INFORMATION:

SPRING LOADED, HANDKNOB ADJUST: A62022-04
 SPRING LOADED, WRENCH ADJUST: A62022-05
 DOME LOADED, NON-VENTING: A62022-08
 DOME LOADED, SEGREGATED VENT: A62022-11

TABLE I	DASH LTR.	LOAD TYPE
	D	DOME LOADED (AVAILABLE WITH GYLON DIAPH. ONLY)
	H	SPRING LOADED, HANDKNOB
	T	SPRING LOADED, TAMPER RESISTANT WRENCH ADJ
	W	SPRING LOADED, WRENCH ADJUST

TABLE II	DASH NO.	BODY, BONNET & BACK CAP MATERIAL
	6	316 SST

TABLE III	DASH NO.	OUTLET PRESSURE
	0	0-20 PSI
	1	0-50 PSI
	2	0-100 PSI
	3	0-150 PSI
	5	0-250 PSI
	D	0-300 PSI (DOME LOAD ONLY)

TABLE IV	DASH LTR.	O-RING MATERIAL	VALVE SEAT MATERIAL
	B	BUNA-N	BUNA-N 90
	E	E.P.	E.P. 80
	M	CHEMRAZ	CHEMRAZ 75
	V	VITON	VITON

TABLE V	DASH NO.	DIAPHRAGM MATERIAL
	E	E.P./ NYLON REINFORCED
	G	GYLON

PART NUMBER
DHH62BGN9ACC9-16

OUTLET CROSS HOLE FLOW CAPACITY	
PORT CODE	Cv
A, 6, M, R, J	2.5
B, 7, N, S, K	3.5
C, 8, P, T, L, D, W	6.6

PART NUMBER	"A"	"B"
DHX6XXXXXAAX-16	7.25/7.13	2.49/2.45
DHX6XXXXXBBX-16	7.25/7.13	2.08/2.04
DHX6XXXXXCXX-16	7.25/7.13	2.08/2.04
DHX6XXXXXDDX-16	7.19/7.07	2.08/2.04
DHX6XXXXX66X-16	9.91/9.79	2.49/2.45
DHX6XXXXX77X-16	9.91/9.79	2.08/2.04
DHX6XXXXX88X-16	9.91/9.79	2.08/2.04
DHX6XXXXXMMX-16	7.51/7.39	2.49/2.45
DHX6XXXXXNNX-16	7.81/7.69	2.08/2.04
DHX6XXXXXPPX-16	8.49/8.37	2.08/2.04
DHX6XXXXXSSX-16	7.81/7.69	2.08/2.04
DHX6XXXXXTX-16	8.49/8.37	2.08/2.04

TABLE IX	INLET, OUTLET & GAUGE PORTS						NONE
	PORT TYPE	1/4 GAUGES ONLY	1/2	3/4	1	1 1/2	
	TRI-CLOVER	-	A	B	C	D	9
	TUBE	-	6	7	8	W	
	FVCR	-	M	N	P	-	
	MVCR	-	R	S	T	-	
	SWAGELOK	-	J	K	L	-	
	NPT GAUGE PORT	F	H	-	-	-	
	HPIC GAUGE PORT	Y	-	-	-	-	

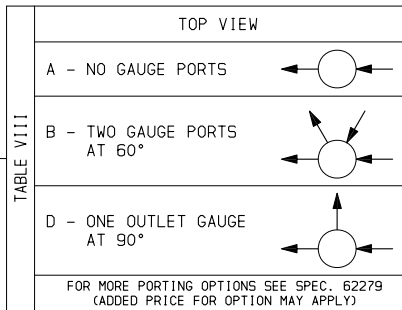
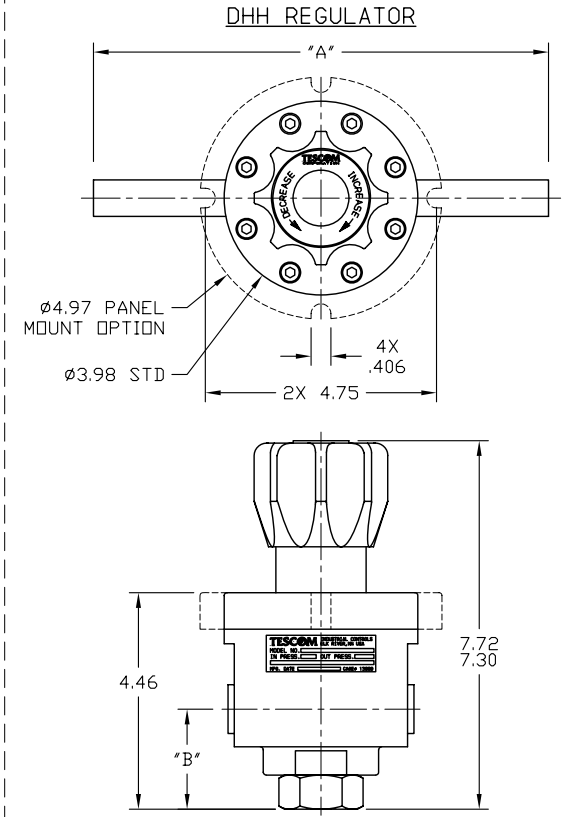
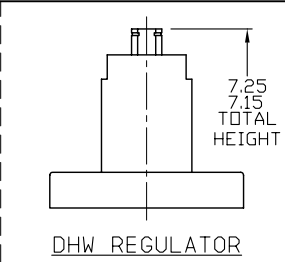
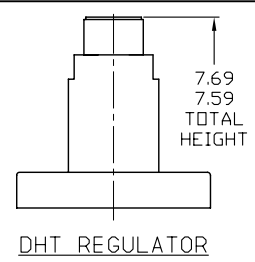
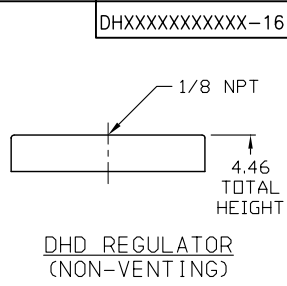
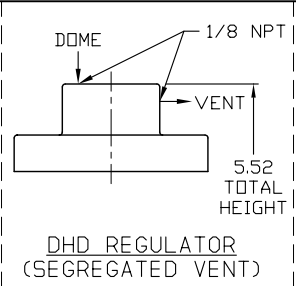


TABLE VII	DASH NO.	OPTIONAL ITEMS
	C	CCL
	9	NONE
	P	PANEL MOUNT

TABLE VI	DASH NO.	VENT SEAT MATERIAL
	C	CTFE
	V	VESPEL
	P	PEEK
	N	NON-VENTING



REV.	DATE	ECO NO.	BY:	APPR.
AL	7-5-07	5347-07	DKD	TWL
AK	4-5-07	156-07	DKD	TWL
AJ	11-21-06	519-06	DLH	TWL
AH	8-8-06	368-06	DKD	TWL
AG	6-15-06	306-06	DKD	TWL
AF	2-20-06	116-06	DKD	TWL
AE	11-18-05	1688-05	DLH	TWL
AD	11-22-05	563-05	DLH	TWL
AC	11-2-05	1672-05	DKD	TWL
AB	9-6-05	421-05	DLH	TWL

REVISIONS

REFERENCE DRAWING(S)

TESCOM CORPORATION
 INDUSTRIAL CONTROLS DIVISION
 ELK RIVER, MN USA

INFORMATION CONTAINED ON THIS DOCUMENT IS THE PROPERTY OF TESCOM CORPORATION. NO RIGHTS ARE CONVEYED NOR IS PERMISSION TO DISCLOSE TO OTHERS GIVEN.

UNLESS OTHERWISE SPECIFIED:
 0 ± .030 ANGLES: ±1°
 .00 ± .010
 .000 ± .005
 SURFACE ROUGHNESS: 100/
 CORNER & FILLET RADII: .005-.020
 THREADS: CLASS 2
 REMOVE ALL BURRS
 MFG. SPEC. 60301

DRAWING MADE IN THIRD ANGLE PROJECTION (DO NOT SCALE DRAWING)

MATERIAL: _____

FINISH: _____

DRAWN BY: JLS 5-15-02
 CHECKED BY: CRN 5-15-02
 APPROVED BY: CRN 5-15-02

NAME: _____

INSTALLATION INFO.

SCALE: 1 : 2
 SIZE NUMBER: C
 SHT. 1 OF 1