

DH SERIES REGULATOR

LOW PRESS., HIGH FLOW, SELF VENTING, PRESS. REDUCING REGULATOR

GENERAL SPECIFICATIONS:

INLET PRESSURE: 500 PSI
 OUTLET PRESSURE: SEE TABLE III
 DESIGN PROOF PRESSURE: 150% OF RATED PRESSURE
 PRESSURE RATING: PER CRITERIA OF ANSI/ASME B31.3
 OPERATING TEMPERATURE: -20°F TO +165°F
 LEAKAGE: BUBBLE TIGHT
 ORIFICE FLOW CAPACITY (Cv): 5
 APPROX. WEIGHTS: SST: 15 LBS, BRASS: 16 LBS

MATERIALS CONTACTING LINE MEDIA:

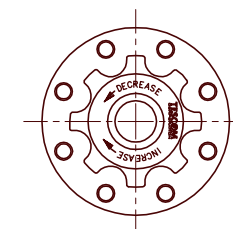
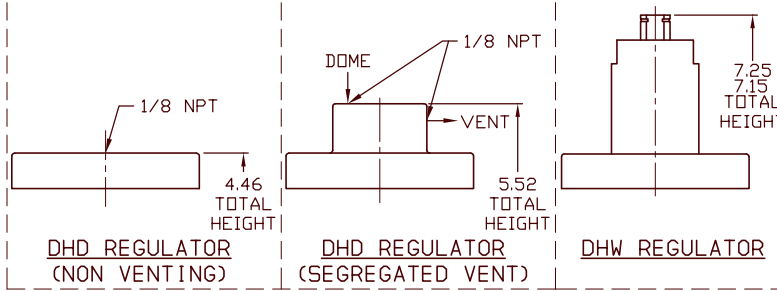
SEAT, MAIN VALVE: SEE TABLE IV
 SEAT, VENT: SEE TABLE VI
 O-RINGS: SEE TABLE IV
 BODY, BONNET, BACK CAP: SEE TABLE II
 DIAPHRAGM: SEE TABLE V
 REMAINING PARTS: 300 SERIES SST/ NITRONIC 60

ASSEMBLY INFORMATION:

SPRING LOADED, HANDKNOB ADJUST SEE: A62022-04
 SPRING LOADED, WRENCH ADJUST SEE: A62022-05
 DOME LOADED, NON VENTING SEE: A62022-08
 DOME LOADED, SEGREGATED VENT SEE: A62022-11

DHXXXXXXXXXX

DHH REGULATOR



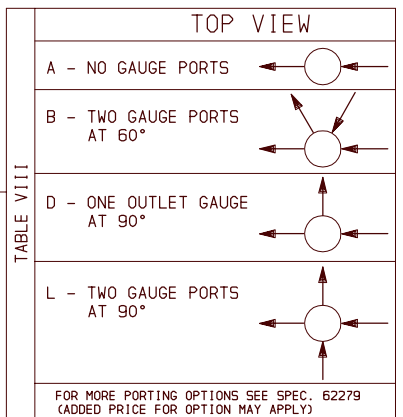
OUTLET CROSS HOLE FLOW CAPACITY

PORT CODE	Cv
H	3.5
3,4	6.6

PART NUMBER
DHH10BEV9A449

INLET, OUTLET & GAUGE PORTS

TABLE IX PORT TYPE	PORT SIZE				NONE
	1/4 GAUGES ONLY	1/2	3/4	1	
NPT	F	H	3	4	9
HPIC	Y	-	-	-	-



OPTIONAL ITEMS

TABLE VII DASH NO.	OPTIONAL ITEMS
C	CCL
9	NONE

VENT SEAT MATERIAL

TABLE VI DASH NO.	VENT SEAT MATERIAL
C	CTFE
V	VESPEL
P	PEEK
N	NON VENTING

LOAD TYPE

TABLE I DASH LTR	LOAD TYPE
D	DOME LOADED (AVAILABLE WITH NYLON DIAPH. ONLY)
H	SPRING LOADED, HANDKNOB
W	SPRING LOADED, WRENCH

BODY, BONNET, BACK CAP MATERIAL

TABLE II DASH NO.	BODY, BONNET, BACK CAP MATERIAL
1	BRASS
6	316 SST

OUTLET PRESSURE

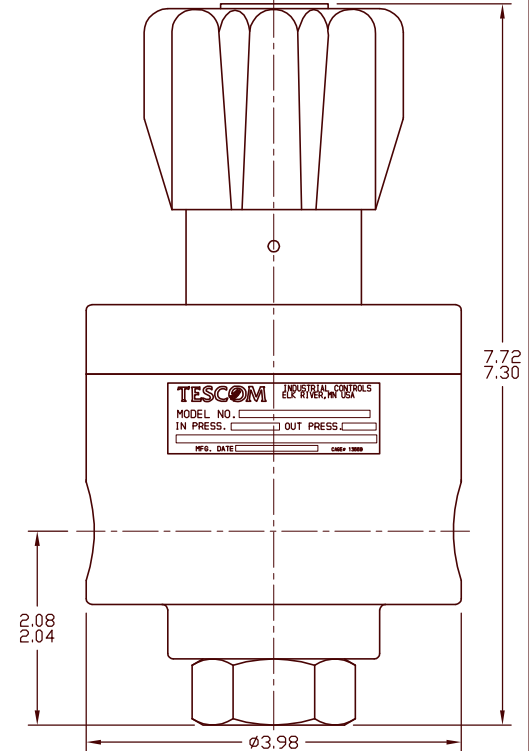
TABLE III DASH NO.	OUTLET PRESSURE
0	0-20 PSI
1	0-50 PSI
2	0-100 PSI
3	0-150 PSI
5	0-250 PSI
D	0-300 PSI (DOME LOAD ONLY)

O-RING & VALVE SEAT MATERIAL

TABLE IV DASH LTR	O-RING	VALVE SEAT
B	BUNA-N	BUNA-N 90
E	E.P.	E.P. 80
M	CHEMRAZ	CHEMRAZ 75
V	VITON	VITON

DIAPHRAGM MATERIAL

TABLE V DASH NO.	DIAPHRAGM MATERIAL
E	E.P./ NYLON REINFORCED
G	GYLON



REVISIONS

REV.	DATE	ECO NO.	BY:	APPR
BE	12-19-07	5719-07	DLH	JDC
BD	4-20-06	1-06	SKO	TWL
BC	1-6-06	1026-06	SKO	TWL
BB	6-21-05	1410-05	DKD	TWL
BA	3-19-04	1801-03	JK	CRN
AZ	9-4-03	1560-03	DLH	TWL
AY	1-26-04	1090-04	JK	CRN

TESCOM CORPORATION
 INDUSTRIAL CONTROLS DIVISION
 BELK RIVER, MN USA

INFORMATION CONTAINED ON THIS DOCUMENT IS THE PROPERTY OF TESCOM CORPORATION. NO RIGHTS ARE CONVEYED NOR IS PERMISSION TO DISCLOSE TO OTHERS GIVEN.

UNLESS OTHERWISE SPECIFIED:
 .0 ± .020 ANGLE: ±1°
 .00 ± .010
 .000 ± .005
 SURFACE ROUGHNESS: 100/
 CORNER & FILLET RADII: .005-.020
 THREADS: CLASS 2
 REMOVE ALL BURRS
 MFG. SPEC. 80301

DRAWING MADE IN THIRD ANGLE PROJECTION
 (DO NOT SCALE DRAWING)

MATERIAL:

FINISH:

DRAWN BY: TWL 6-8-99
CHECKED BY: CRN 7-12-99
APPROVED BY: CRN 7-12-99

NAME: INSTALLATION INFO.

SCALE: 1:1
SIZE: C
NUMBER: DHXXXXXXXXXX
CODE NO. 13669 SHT. 1 OF 11