

CONFIDENTIAL: This document/program, including the content, is property of Emerson Process Management and must be held in strict confidence and properly safeguarded by the recipient at all times. It may not be copied or reproduced, or provided or revealed to any other part, except with prior authorization of an appropriate officer of Emerson Process Management and any authorized copy or reproduction must include this admonition. The recipient may use the same only for the purpose for which Emerson Process Management has provided it to the recipient. The document must be returned to Emerson Process Management upon request. By accepting this document/program, the recipient agrees to the foregoing.

ER5 00 0 S I - 1

| BASIC SERIES | BASE STYLE | INTERNAL SENSOR CONFIG. | BOARD CONFIG. | CURRENT VOLTAGE | Cv CONFIG. |
|--|---------------|-------------------------|-----------------------------------|------------------------|----------------------------|
| ER5 | 00 - STANDARD | 0 - 0-100 PSIG | S - STANDARD SETPOINT FEEDBACK | I - 4-20 mA 1-5 VDC | 1 - STANDARD, Cv = 0.01 |
| | | | F - 2 EXTRA ANALOG INPUTS/OUTPUTS | V - 0-10 VDC | |
| INCLUDES MAIN CABLE ASSEMBLY | | | | | ----- |
| INCLUDES ABOVE PLUS: USB CABLE, ADAPTOR FITTINGS, USER START UP CD KIT | | | | | |

ER5000 PRESSURE CONTROLLER

SPECIFICATIONS:

ELECTRICAL

POWER REQUIREMENT: 20.5 TO 28.5 VDC, 340mA MAX., 180mA NOMINAL

SUPPLY

MEDIA: CLEAN, DRY INERT GAS OR CLEAN, DRY AIR

PRESSURE: MIN.: OUTPUT PRESSURE + 1 PSIG, MAX. 120 PSIG, NOM. 110 PSIG

TEMP.: -20°F TO 170°F (-30°C TO 75°C) (DRY MEDIA REQUIRED BELOW 32°F)

ACCURACY:

LINEARITY: ±0.05% FULL SCALE OUTPUT (FSO)

HYSTERESIS: ±0.05% (FSO)

REPEATABILITY: ±0.05% (FSO)

RESOLUTION SENSITIVITY: ±0.03% (FSO)

MEASURED REFERENCE ACCURACY (TOTAL ACCURACY ALL EFFECTS INCLUDING ZERO AND SPAN ERROR): ±0.10% (FSO)

TEMPERATURE EFFECT: ±0.0125% / DEGREES F OF FSO (-20°F TO 170°F)
±.0069% / DEGREES C OF FSO (-30°C TO 75°C)

LOW PRESSURE CAPABILITY WITH EXTERNAL TRANSDUCER:
±0.25 INCHES WATER (.635 g/sq. cm) INTO 2 LITER VOLUME

FLOW CAPACITY

Cv=0.01 (MAX. FLOW: 18 LPM)

WEIGHT

49.6 OZ. (1.4 KG)

FLOW STREAM MATERIALS

SOLENOIDS: NICKEL PLATED STEEL, VITON SEAT AND O-RINGS

SENSOR: GLASS, CERAMIC, SILICON, RTV, NICKEL

TUBING: POLYURETHANE

PLUG: BRASS

O-RINGS: BUNA-N, VITON

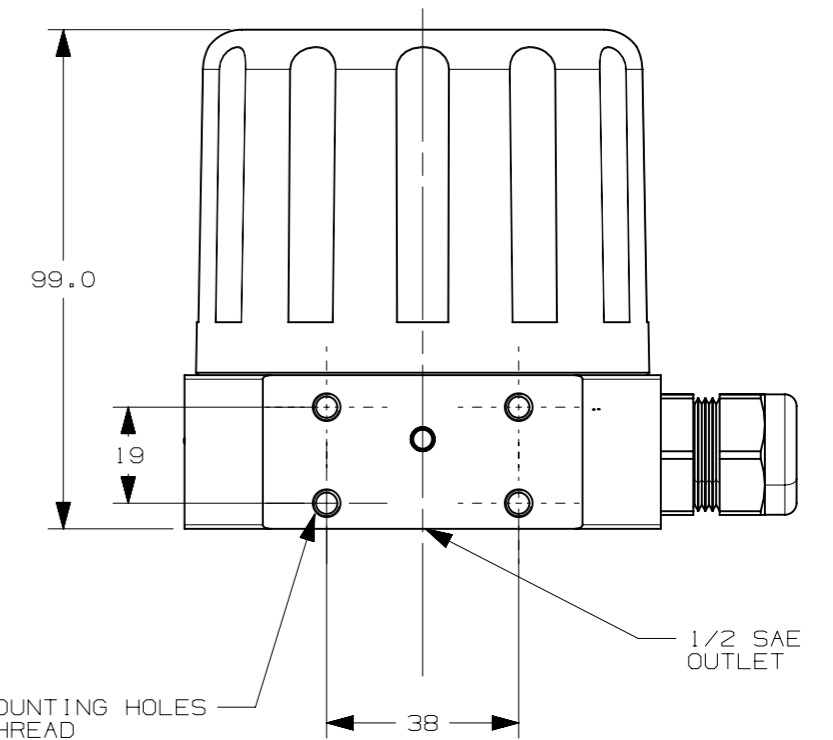
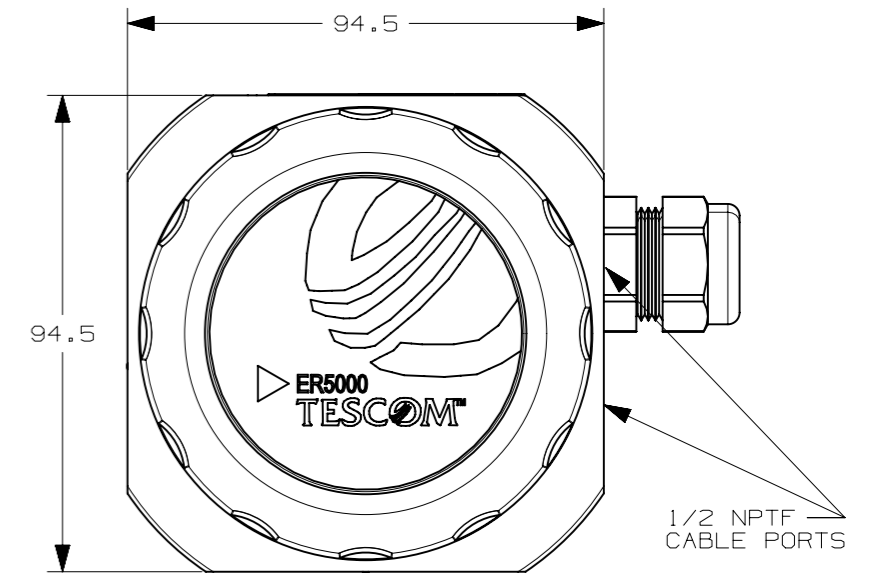
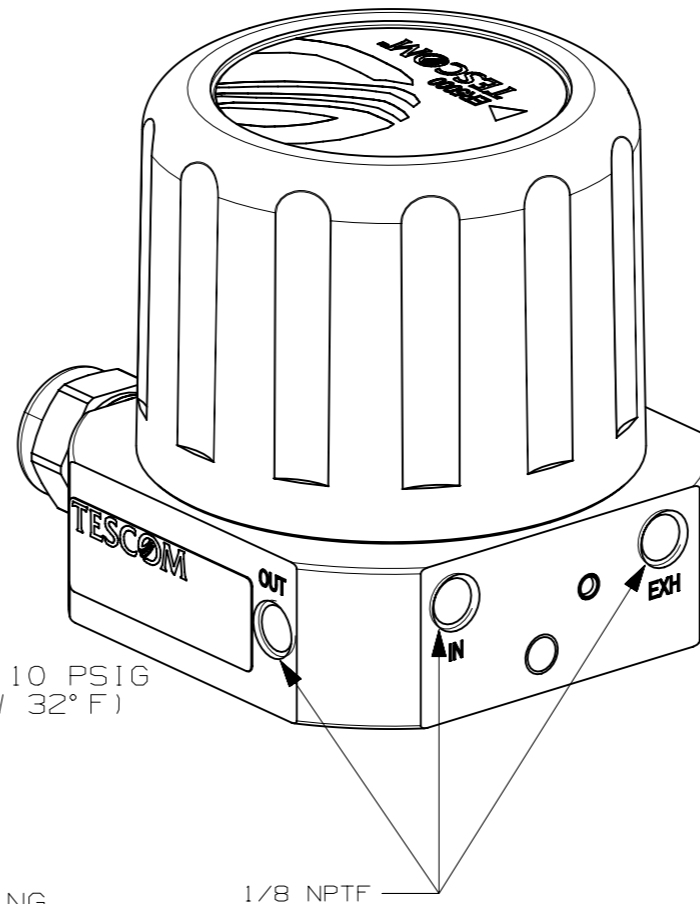
STORAGE TEMPERATURE: -58°F TO 200°F (-50°C TO 95°C)

ASSEMBLY INFORMATION

FOR ASSEMBLY OF THIS UNIT USE DRAWING: [ERSA03556](#)

NOTES:

- ALL DIMENSIONS REFERENCE.
- THREAD PROTECTORS, CABLES, AND FITTINGS HAVE BEEN EXCLUDED FROM THE DRAWING.
- SOFTWARE DISK NOT SHOWN



| | | | | | |
|--|--|-----------------|--|--|------------------------------|
| UNLESS OTHERWISE SPECIFIED TOLERANCE: ± 0.25 ANGLES: ± 1° SURFACE FINISH: 2.5 Ra BREAK SHARP CORNERS: 0.5MAX DO NOT SCALE THIS DWG | | © 2012 2013 | PRESSURE CONTROLLER ER5000 | | |
| REVISION ECRN NO 70480-13 CHANGES - APV BY eburgett 17-May-2013 | | | UNITS: MILLIMETERS ASME Y14.5M DWG STATUS: | PROJECT: DWN/bzhang 18-Oct-2012 CHK/eneumann 18-Oct-2012 APV/eburgett 23-Oct-2012 | SHEET: 1 OF 1 SCALE: NONE |