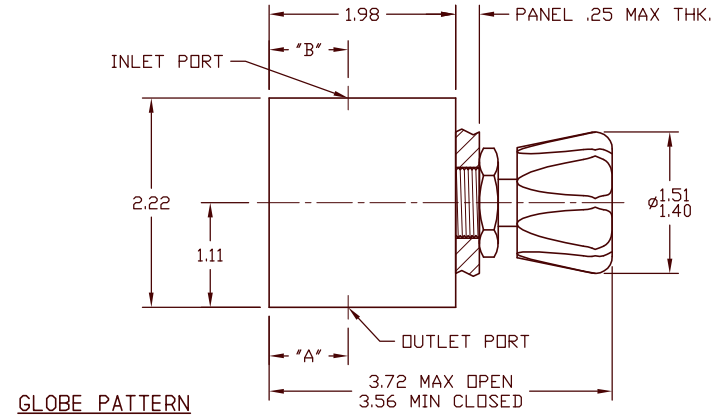
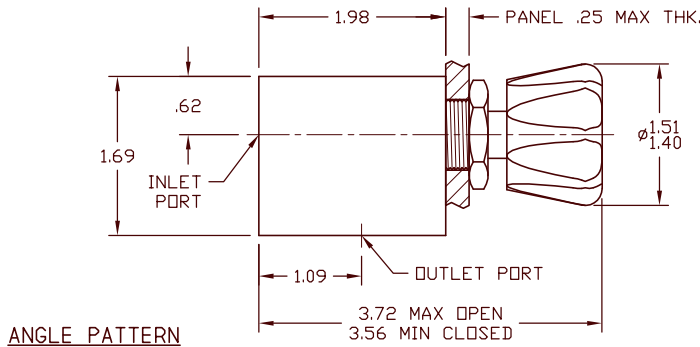


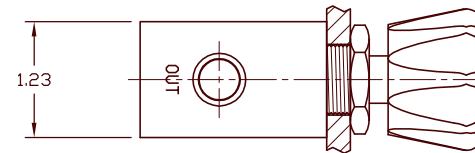
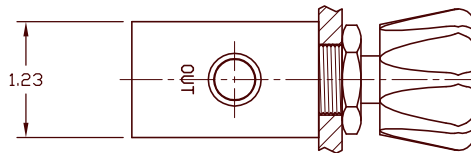
ALL DIMENSIONS REFERENCE

VJ-XXXXXX



ANGLE PATTERN

GLOBE PATTERN

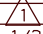


IN & OUT PORT	"A"	"B"
BSPP	.84	.84
SAE	.84	.84
NPT	.84	.84
MS33649	.84	.84
MEDIUM PRESS.	.84	.56

VJ SERIES HAND VALVE

LOW FLOW, BI-DIRECTIONAL FLOW,
BUILT IN METALLIC STOP

GENERAL SPECIFICATIONS:

MAX OPER. PRESSURE: 10,000 PSI (316 SST BODY)
6,000 PSI (BRASS BODY)
DESIGN PROOF PRESSURE: 150% OF RATED PRESSURE
PRESSURE RATING, PER CRITERIA OF ANSI/ASME B31.3
OPERATING TEMPERATURE: -65°F TO +165°F
LEAKAGE: BUBBLE TIGHT
FLOW CAPACITY (Cv): .49 
WEIGHT: APPROXIMATELY 5 1/2 LBS
MAX OPERATING TORQUE: 15 IN-LBS

MATERIALS CONTACTING LINE MEDIA:

SEAT: SEE TABLE V
O-RING: SEE TABLE VI
BACK-UP RING: TEFLON
BODY: SEE TABLE I
REMAINING PARTS: MONEL AND BRASS OR SST

ASSEMBLY INFORMATION:

FOR ASSEMBLY OF ANGLE UNIT USE SPEC: A63222-01
FOR ASSEMBLY OF GLOBE UNIT USE SPEC: A63222-02

KITS:

NONMETALLIC: 389-6509* - - P/N VJ-XXXXXV

NOTES:

 1/4" MEDIUM PRESSURE PORTS REDUCE Cv TO .28

SERIES NUMBER

VJ-10304VK

TABLE I	DASH NO.	BODY MATERIAL
	1	BRASS
	6	316 SST

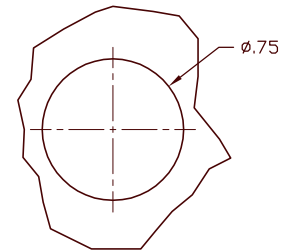
TABLE II	DASH NO.	PATTERN TYPE
	0	ANGLE
	1	GLOBE

TABLE III	DASH NO.	IN & OUT PORT TYPE
	0	BSPP
	1	SAE
	2	NPT
	3	MS33649
	6	MEDIUM PRESSURE (SLIM-LINE)

TABLE IV	DASH NO.	INLET & OUTLET PORT SIZE
	04	1/4
	06	3/8 (GLOBE PATTERN ONLY)

TABLE VI	DASH NO.	O-RING MATERIAL
	D	BUNA-N
	E	ETHYLENE PROPYLENE
	K	KALREZ
	V	VITON

TABLE V	DASH NO.	SEAT MATERIAL
	K	CTFE
	P	PEEK
	T	TEFLON
	V	VESPEL



PANEL CUT-OUT

REV.	DATE	ECO NO.	BY:	APPR
F	3-24-06	1235-06	DLH	TWL
E	11-20-03	505-03	JK	TMB
D	7-28-03	1480-03	JKK	TMB
C	5-13-02	870-02	SKO	TMB
B	4-30-01	882-01	SJW	TMB
A	1-29-01	33-01	SJW	TMB

TESCOM CORPORATION
INDUSTRIAL CONTROLS DIVISION
ELK RIVER, MN USA

INFORMATION CONTAINED ON THIS DOCUMENT IS THE PROPERTY OF TESCOM CORPORATION. NO RIGHTS ARE CONVEYED NOR IS PERMISSION TO DISCLOSE TO OTHERS GIVEN.

UNLESS OTHERWISE SPECIFIED:
.0 ± .020 ANGLES: ±1°
.00 ± .010
.000 ± .005
SURFACE ROUGHNESS: 100/
CORNER & FILLET RADI: .005-.020
THREADS: CLASS 2
REMOVE ALL BURRS
MFG. SPEC. 80301

DRAWING MADE IN THIRD ANGLE PROJECTION
(DO NOT SCALE DRAWING)

MATERIAL:		
X		
FINISH:		
X		
DRAWN BY:	CHECKED BY:	APPROVED BY:
SJW 1-29-01	TMB 2-28-01	TMB 2-28-01
NAME		
INSTALLATION INFO.		
SCALE: 1 : 1	SIZE	NUMBER
CODE NO. 13669	C	VJ-XXXXXX
SHT.	1	OF 1