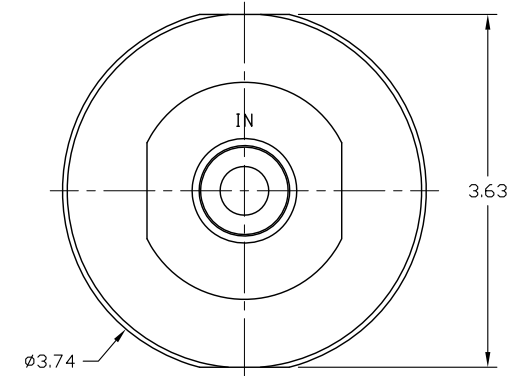
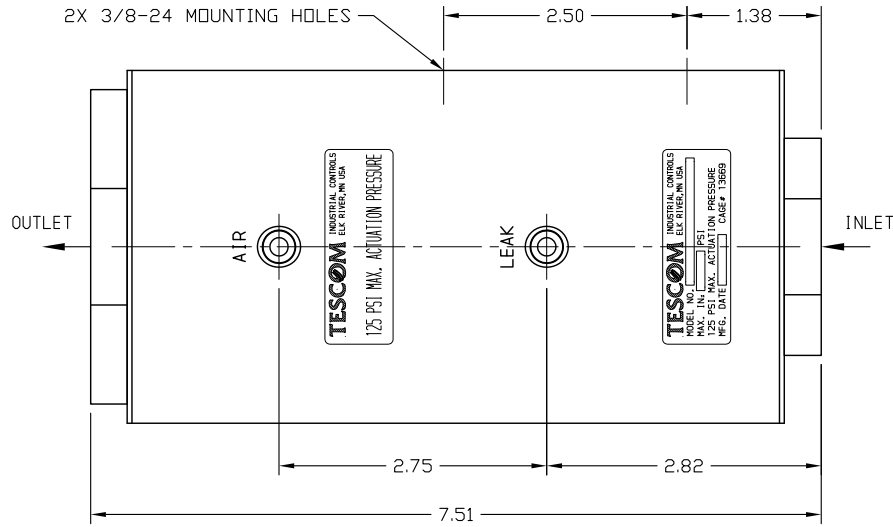


VMXXXXXXXXXX



SERIES NUMBER
VM6VV3123122

TABLE I	DASH NO./LTR	BODY & TRIM MAT'L
	6	316 SST

TABLE VII	DASH NO./LTR	AIR & LEAK PORT SIZE/TYPE
	2	1/8 NPT

TABLE II	DASH NO./LTR	SEAT MATERIAL	O-RING MATERIAL	MAX OPERATING PRESSURE	O-RING MATERIAL
	VB	VESPEL	BUNA-N	SST BODY 6000 PSI	-40°F TO +165°F
	VK		KALREZ		-15°F TO +250°F
	VV		VITON		-15°F TO +250°F
	VE		E.P.		-40°F TO +250°F
	VU		URETHANE		-20°F TO +165°F

TABLE VI	DASH NO./LTR	OUTLET PORT SIZE
	12	3/4
	16	1"

TABLE V	DASH NO./LTR	OUTLET PORT TYPE
	1	SAE
	2	NPT
	3	MS33649

TABLE III	DASH NO./LTR	INLET PORT TYPE
	1	SAE
	2	NPT
	3	MS33649

TABLE IV	DASH NO./LTR	INLET PORT SIZE
	12	3/4
	16	1"

VM SERIES AIR OPERATED VALVE

AIR OPERATED PISTON SENSED VALVE
ACTUATION RANGE OF 80-125 PSI

GENERAL SPECIFICATIONS:

OPERATING PRESSURE: SEE TABLE III
 DESIGN PROOF PRESSURE: 150% OF RATED PRESSURE
 DESIGN BURST PRESSURE: PER CRITERIA OF ANSI/ASME B31.3
 OPERATING TEMPERATURE: SEE TABLE III
 LEAKAGE: INTERNAL: BUBBLE TIGHT
EXTERNAL: BUBBLE TIGHT
 FLOW CAPACITY: Cv=4.5
 WEIGHT: APPROXIMATELY 19 LBS
 MIN. ACTUATION PRESSURE: 80 PSI
 MAX. ACTUATION PRESSURE: 125 PSI

MATERIALS CONTACTING LINE MEDIA:

SEAT: SEE TABLE III
 BODY & TRIM: SEE TABLE II
 VALVE: 316 SST
 O-RINGS: SEE TABLE III
 BACK-UP RINGS: TEFLON

ASSEMBLY INFORMATION:

FOR ASSEMBLY OF THIS UNIT USE SPEC: JTA103517-01

<p>INFORMATION CONTAINED ON THIS DOCUMENT IS THE PROPERTY OF TESCOM CORPORATION. NO RIGHTS ARE CONVEYED NOR IS PERMISSION TO DISCLOSE TO OTHERS GIVEN.</p> <p>UNLESS OTHERWISE SPECIFIED: 0 ± .020 ANGLES: ±1° .00 ± .010 .000 ± .005 SURFACE ROUGHNESS: 100/ CORNER & FILLET RADII: .005-.020 THREADS: CLASS 2 REMOVE ALL BURRS MFG. SPEC. 60301</p>				MATERIAL:	
				FINISH:	
				DRAWN BY: DLH	
				CHECKED BY: TWL	
APPROVED BY: TWL		APPROVED BY: TWL			
NAME: AIR OPERATED VALVE					
SCALE: 1 : 1		SIZE NUMBER: VMXXXXXXXXXX			
CODE NO. 13669		SHT. 1 OF 1			