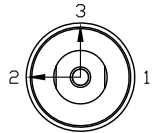
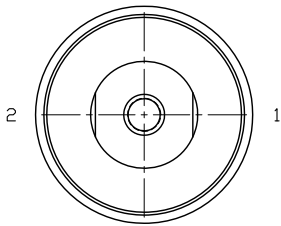
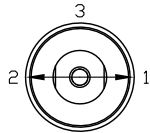


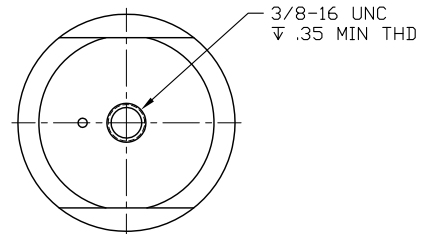
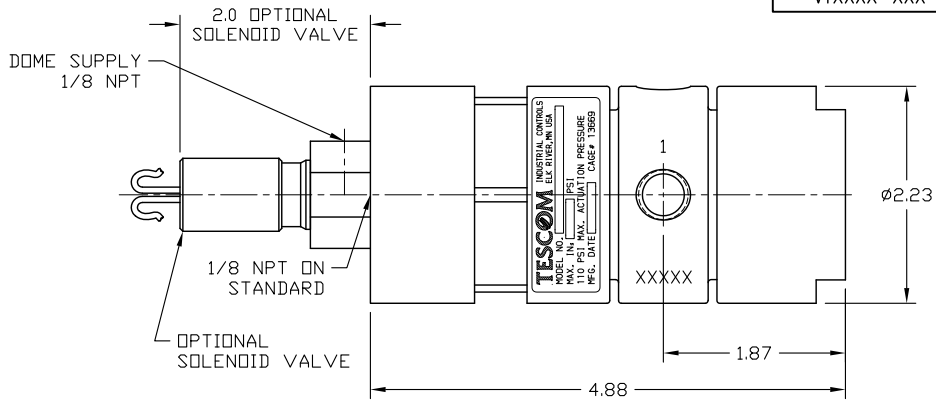
PORT LOCATION



NON-ACTUATED  
PORT 1 CLOSED  
PORT 2 & 3 OPEN



ACTUATED  
PORT 3 CLOSED  
PORT 1 & 2 OPEN



SERIES NUMBER  
VT6ABS9-AA

TABLE I	DASH NO./LTR	BODY
1		BRASS
6		316 SST

TABLE VI	DASH NO./LTR	PORT LOCATION SIZE & TYPE
A		1/4 NPT
C		3/8 NPT
E		1/4 SAE
J		3/8 SAE

TABLE V	DASH NO./LTR	PORT LOCATION SIZE & TYPE
A		1/4 NPT
C		3/8 NPT
E		1/4 SAE
J		3/8 SAE

TABLE IV	DASH NO./LTR	PORT LOCATION SIZE & TYPE
A		1/4 NPT
C		3/8 NPT
E		1/4 SAE
J		3/8 SAE

TABLE III	DASH NO./LTR	OPTIONS
9		NONE
C		CCL
T		SOLENOID VALVE 115 VOLT AC
V		SOLENOID VALVE 24 VOLT DC
W		SOLENOID VALVE 12 VOLT DC

TABLE II *	DASH NO./LTR	SEAT MATERIAL	O-RING MATERIAL	MAX OPERATING PRESSURE	OPERATING TEMPERATURE
	AB				-65°F TO +165°F
AK	TEFZEL ETFE		BUNA-N	BRASS BODY 3500 PSI SST BODY 3500 PSI	+20°F TO +250°F
AV			KALREZ		-15°F TO +250°F
AE			VITON		-65°F TO +250°F
AU	CTFE		E.P.	BRASS BODY 3500 PSI SST BODY 3500 PSI	-65°F TO +165°F
CB			URETHANE		-65°F TO +165°F
CK			BUNA-N		+20°F TO +165°F
CV	PEEK (STD)		KALREZ	BRASS BODY 6000 PSI SST BODY 10000 PSI	-15°F TO +165°F
CE			VITON		-65°F TO +165°F
CU			E.P.		-65°F TO +165°F
PB	VESPEL		URETHANE	BRASS BODY 6000 PSE SST BODY 10000 PSI	-65°F TO +165°F
PK			BUNA-N		+20°F TO +250°F
PV			KALREZ		-15°F TO +250°F
PE	VESPEL		VITON	BRASS BODY 6000 PSE SST BODY 10000 PSI	-65°F TO +165°F
PU			E.P.		-65°F TO +165°F
VB			URETHANE		+20°F TO +250°F
VK	VESPEL		BUNA-N	BRASS BODY 6000 PSE SST BODY 10000 PSI	-15°F TO +250°F
VV			KALREZ		-65°F TO +250°F
VE			VITON		-65°F TO +165°F
VU			URETHANE		-65°F TO +165°F

**VT SERIES AIR OPERATED VALVE**  
AIR OPERATED PISTON SENSED 3-WAY VALVE  
ACTUATION RANGE OF 80-110 PSI

**GENERAL SPECIFICATIONS:**

- OPERATING PRESSURE: SEE TABLE II
- DESIGN PROOF PRESSURE: 150% OF RATED PRESSURE
- DESIGN BURST PRESSURE: PER CRITERIA OF ANSI/ASME B31.3
- OPERATING TEMPERATURE: SEE TABLE II
- LEAKAGE: INTERNAL; BUBBLE TIGHT  
EXTERNAL; BUBBLE TIGHT
- FLOW CAPACITY (Cv): Cv=.75
- WEIGHT: APPROXIMATELY 5 LBS
- MIN. ACTUATION PRESSURE: 80 PSI
- MAX. ACTUATION PRESSURE: 110 PSI

**MATERIALS CONTACTING LINE MEDIA:**

- SEATS: SEE TABLE II
- BODY & TRIM: SEE TABLE I
- VALVE STEM: 17-4 SST
- O-RINGS: SEE TABLE II
- BACK-UP RINGS: TEFLON FOR CTFE & TEFZEL SEATS  
CTFE FOR PEEK & VESPEL SEATS

**ASSEMBLY INFORMATION:**

FOR ASSEMBLY OF THIS UNIT USE SPEC: JTA100873-01

\* TABLE II - FLOW STREAM ONLY

PATENT PENDING

<p>INDUSTRIAL CONTROLS DIVISION ELK RIVER, MN USA</p>			<p>MATERIAL:</p> <p style="text-align: center;">~</p>		
<p>INFORMATION CONTAINED ON THIS DOCUMENT IS THE PROPERTY OF TESCOM CORPORATION. NO RIGHTS ARE CONVEYED NOR IS PERMISSION TO DISCLOSE TO OTHERS GIVEN.</p>			<p>FINISH:</p> <p style="text-align: center;">~</p>		
<p>UNLESS OTHERWISE SPECIFIED: 0 ± .020 ANGLES: ±1° .00 ± .010 .000 ± .005</p>			<p>DRAWN BY: TWL DLH 8-1-08 CHECKED BY: TWL 8-6-08 APPROVED BY: TWL 8-6-08</p>		
<p>SURFACE ROUGHNESS: 100/ CORNER &amp; FILLET RADII: .005-.020</p>			<p>NAME <b>AIR OPERATED 3-WAY VALVE</b></p>		
<p>THREADS: CLASS 2 REMOVE ALL BURRS MFG. SPEC. 60301</p>			<p>SCALE: 1 : 1 SIZE NUMBER VTXXXX-XXX CODE NO. 13669 C SHT. 1 OF 1</p>		
<p>REV. DATE ECO NO. BY: APPR</p>			<p>DRAWING MADE IN THIRD ANGLE PROJECTION (DO NOT SCALE DRAWING)</p>		
<p>REVISIONS</p>			<p>REFERENCE DRAWING(S)</p>		