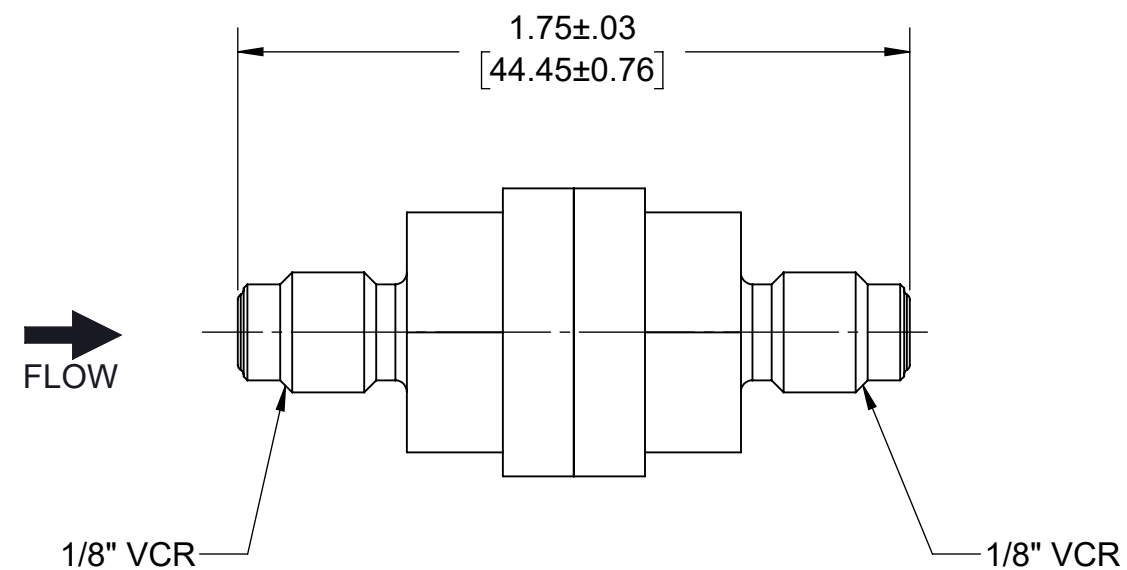
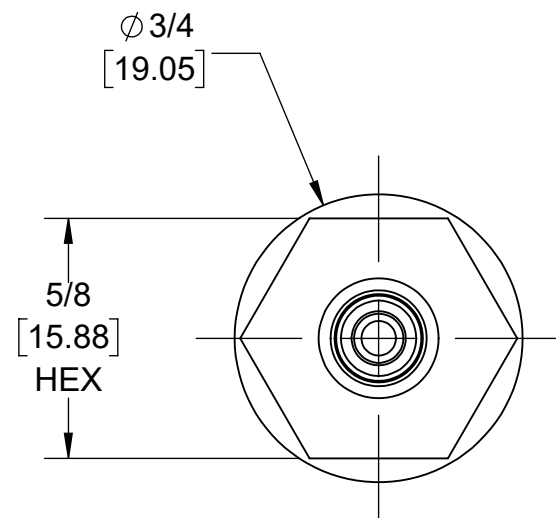


REV	ECN	DESCRIPTION	DATE	DRAWN	CHK'D
0	N/A	RELEASED FOR CUSTOMER INFORMATION	02/08/19	EV	JER



NOTES:

- POROUS MATERIAL: 316LSS  
HARDWARE MATERIAL: 316LSS VIM/VAR
- INTERNAL SURFACE: 5 Ra AVERAGE, 10 Ra MAX ELECTROPOLISHED
- ALL WELDED CONSTRUCTION, TO BE FREE OF WELD SLAG AND SPATTER

STANDARD DRAWING TOLERANCES UNLESS OTHERWISE SPECIFIED		DRWN BY: <b>EV</b>	DATE: <b>02/11/19</b>	<b>mott corporation</b> 84 Spring Lane, Farmington, CT 06032-3159 860-747-6333 FAX 860-747-8529 www.mottcorp.com				
DIMENSIONS ARE IN INCHES FRACTIONAL: ±1/16 1 PLC DECIMALS: ±.020 2 PLC DECIMALS: ±.010 3 PLC DECIMALS: ±.005 ANGLES: ±1° BREAK SHARP EDGES & CORNERS .005 -.015 APPROX RADIUS		CHKD BY: <b>JER</b>	DATE: <b>02/11/19</b>				TITLE <b>POU-05-FSV05-175L</b>	
THIRD ANGLE PROJECTION		APPVD BY:	DATE:	MATERIAL	FINISH	SCALE	SHT	OF
THIS DOCUMENT IS THE PROPERTY OF THE MOTT CORPORATION AND IS NOT TO BE REPRODUCED IN PART OR WHOLE, NOR THE INFORMATION CONTAINED HEREIN, TRANSMITTED TO ANY UNAUTHORIZED INDIVIDUAL, COMPANY, OR ORGANIZATION WITHOUT THE WRITTEN CONSENT OF THE MOTT CORPORATION.		QU No:	PRJ No:	NOTED	NOTED	2:1	1	1
		SO No:	WEIGHT: <b>0.09 LBS</b>	SIZE	DWG No:	REV		
				<b>B</b>	<b>SK4888</b>		<b>0</b>	